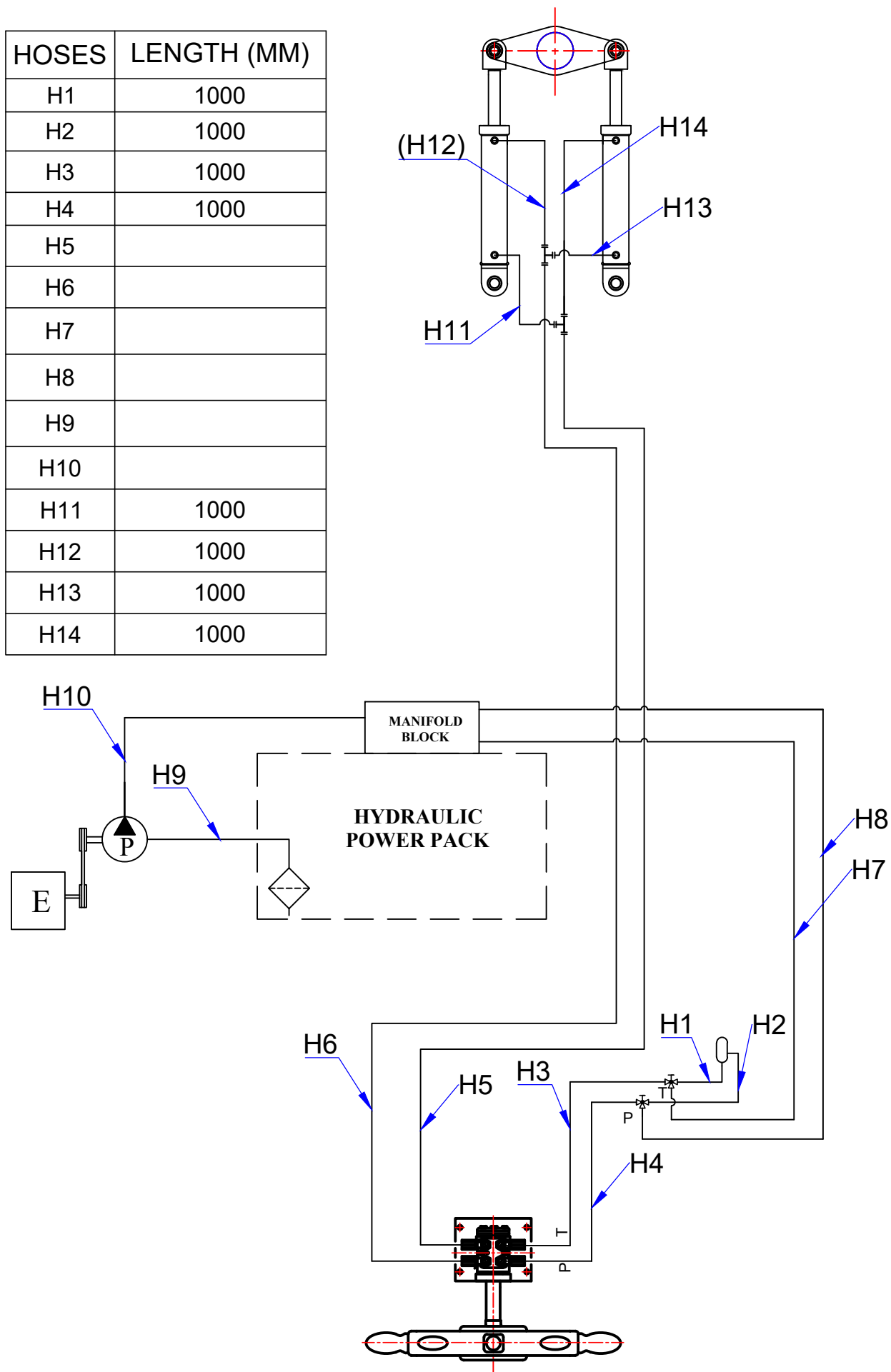


HOSES	LENGTH (MM)
H1	1000
H2	1000
H3	1000
H4	1000
H5	
H6	
H7	
H8	
H9	
H10	
H11	1000
H12	1000
H13	1000
H14	1000



MAC ♦ N ♦ HOM SYSTEMS
KOCHI - 20

DESIGNATION

Hose Data for JumboZ-300E
PTO -Power Helm

DWG. No.

MHS-1843

DATE

12.06.2023

A

B

C

D

E

F

G

H